

# Single pole connectors

## Cam-Lok™ receptacle covers

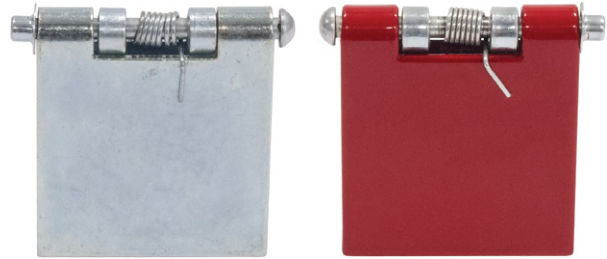
NEMA 1

### J-Series E1016, NEMA 1, metal snap back covers

#### Features

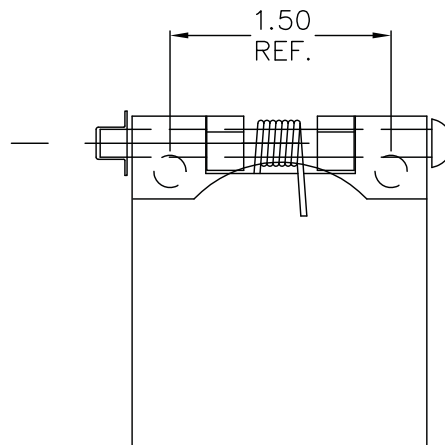
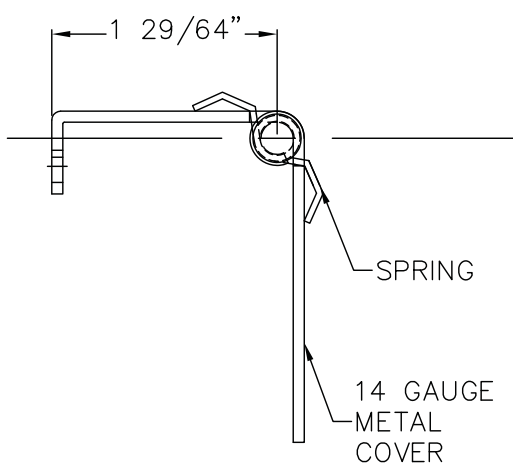
- Mounts directly to new or existing receptacles.
- Provides NEMA 1 protection.
- Steel with epoxy powder coat (standard) or zinc plated (optional)
- Stainless steel hardware.
- Complete color offering.

NEMA 1 RECEPTACLE COVERS	
COLOR	PART NO.
BLACK	E1016MC-BK
RED	E1016MC-RD
GREEN	E1016MC-GR
WHITE	E1016MC-WT
BLUE	E1016MC-BL
YELLOW	E1016MC-YL
ORANGE	E1016MC-OR
BROWN	E1016MC-BR
GRAY	E1016MC-GY
ZINC	E1016MC-ZN



E1016MC-ZN

E1016MC-RD



#### CERTIFICATIONS

- NEMA 1

#### MATERIALS

- Body: Steel

#### TEMPERATURE RATING

- Operating ambient: -40° C to 105° C